

Sensitivity Wavelength Range: 600nm ~ 1750nm

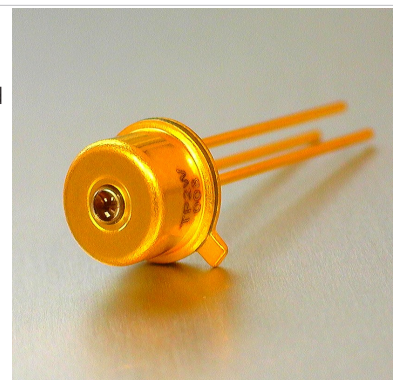
The 1346 series from Marktech, a high sensitivity and high reliability product series, is ideally suited for Optical Communication devices. Custom packaging options for this die are also available.

FEATURES

- > High Speed Response (Max: 2Gbps)
- > TO-46 Ball Lens 3 Pin Package
- > Active Area of 0.3mm / High Sensitivity
- > Spectral Range: 600nm - 1750nm
- > Hermetically Sealed

APPLICATIONS

- > High Speed Optical Communications
- > Industrial Controls
- > Optical Switches
- > LIDAR
- > Medical

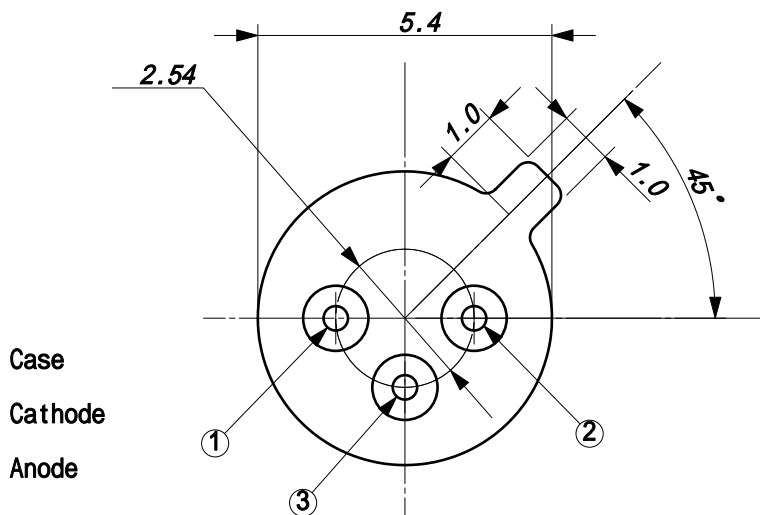
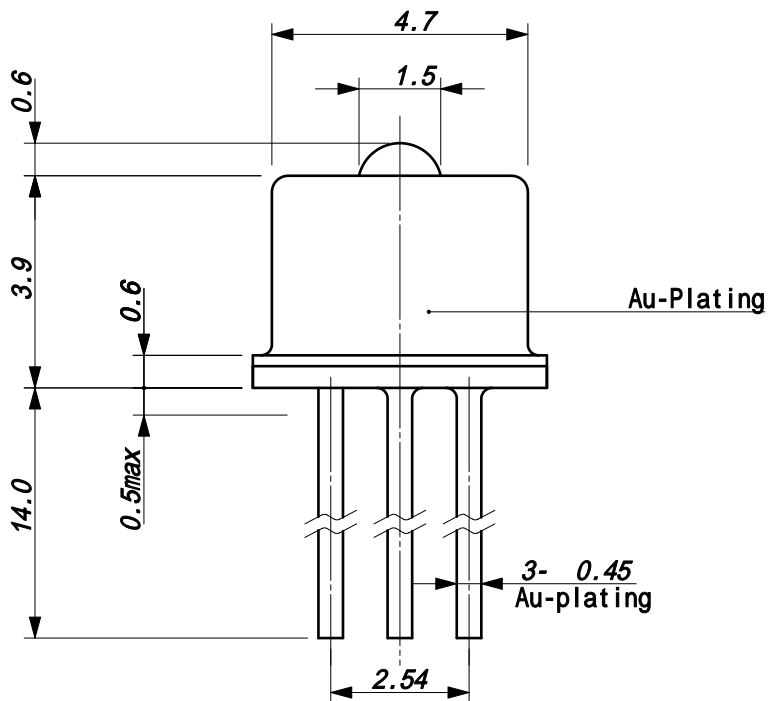


Absolute Maximum Ratings (Ta=25°C)

| ITEMS | SYMBOL | RATINGS | UNIT |
|-----------------------------|------------------|-------------|------|
| Active Area | Φ | 0.3 | mm |
| Operating Temperature Range | T _{opr} | -40 to +85 | °C |
| Storage Temperature Range | T _{stg} | -40 to +125 | °C |

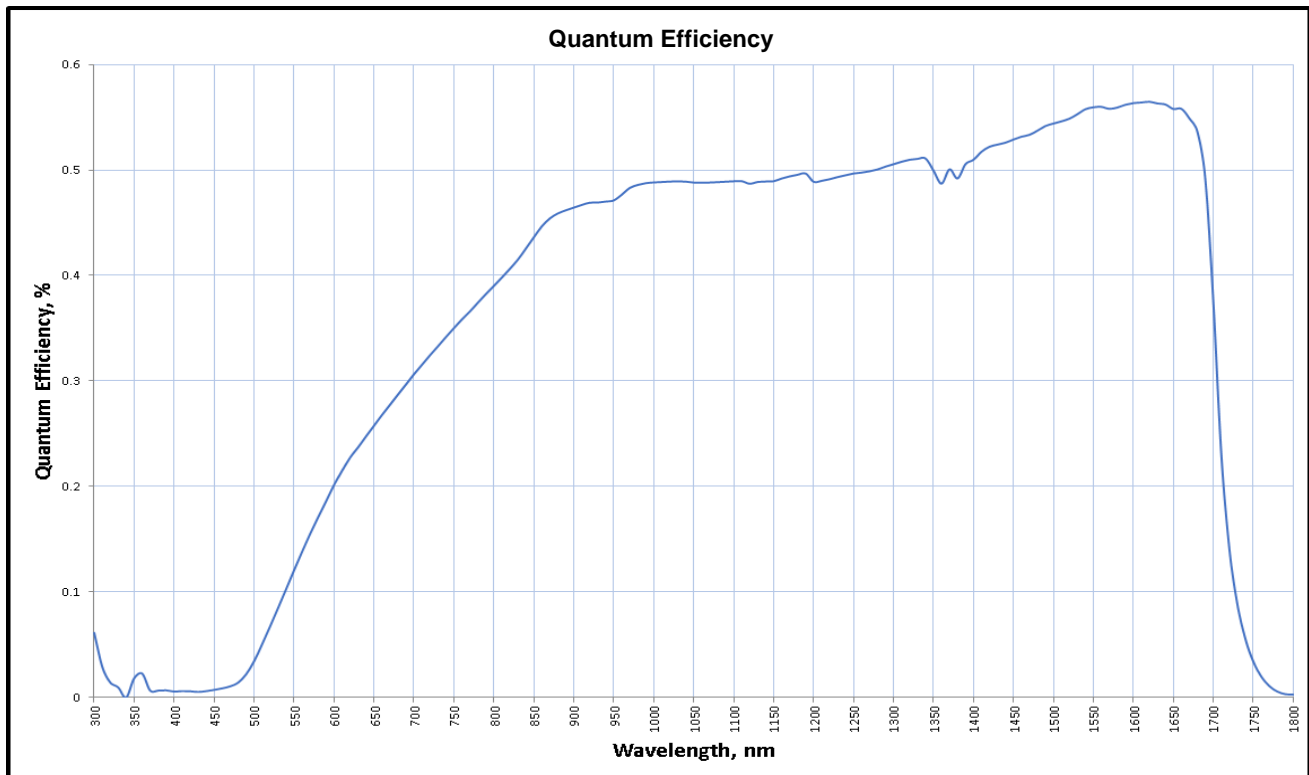
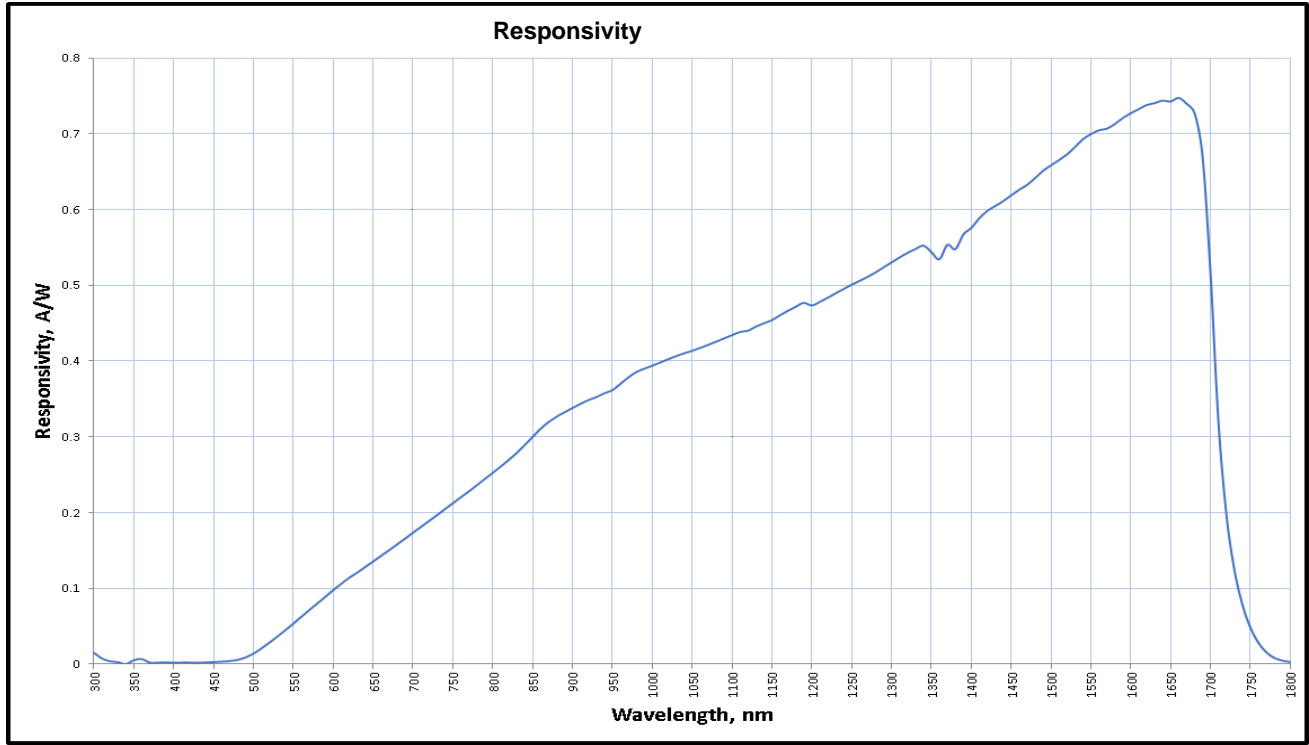
Electrical & Optical Characteristics (Ta = 25°C)

| ITEMS | SYMBOL | CONDITIONS | MIN | TYP | MAX | UNIT |
|----------------------|--------|------------|-----|-------|------|------|
| Breakdown Voltage | VR | IR=10uA | -- | -- | 1.0 | V |
| Sensitivity Range | λ | VR=0V | 600 | -- | 1750 | nm |
| Dark Current | ID | VR=0V | -- | 0.014 | -- | uA |
| Dark Current | ID | VR=1V | -- | 9.3 | -- | nA |
| Junction Capacitance | C | VR=0V | -- | 11 | -- | pF |
| Junction Capacitance | C | VR=1V | -- | 8.5 | -- | pF |
| Responsivity | R | λ=1650nm | -- | 0.74 | -- | A/W |
| Quantum Efficiency | QE | λ=1660nm | -- | 55 | -- | % |
| Shunt Resistance | RSH | VR=10mV | -- | 30 | -- | MΩ |



The information contained herein is subject to change without notice.

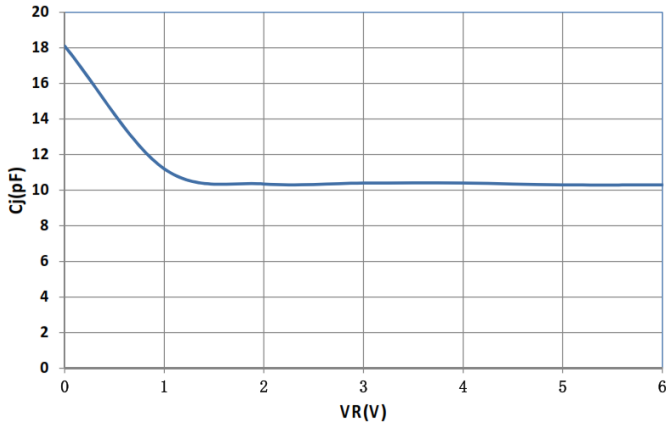
2024-12-03



The information contained herein is subject to change without notice.

2024-12-03

[Cj vs VR]



Dark current vs Reverse voltage

